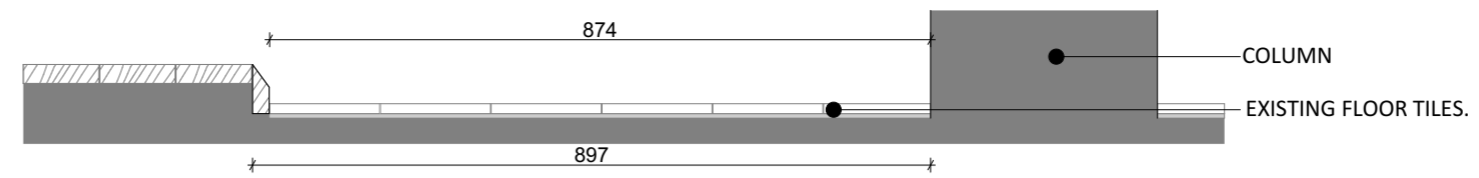
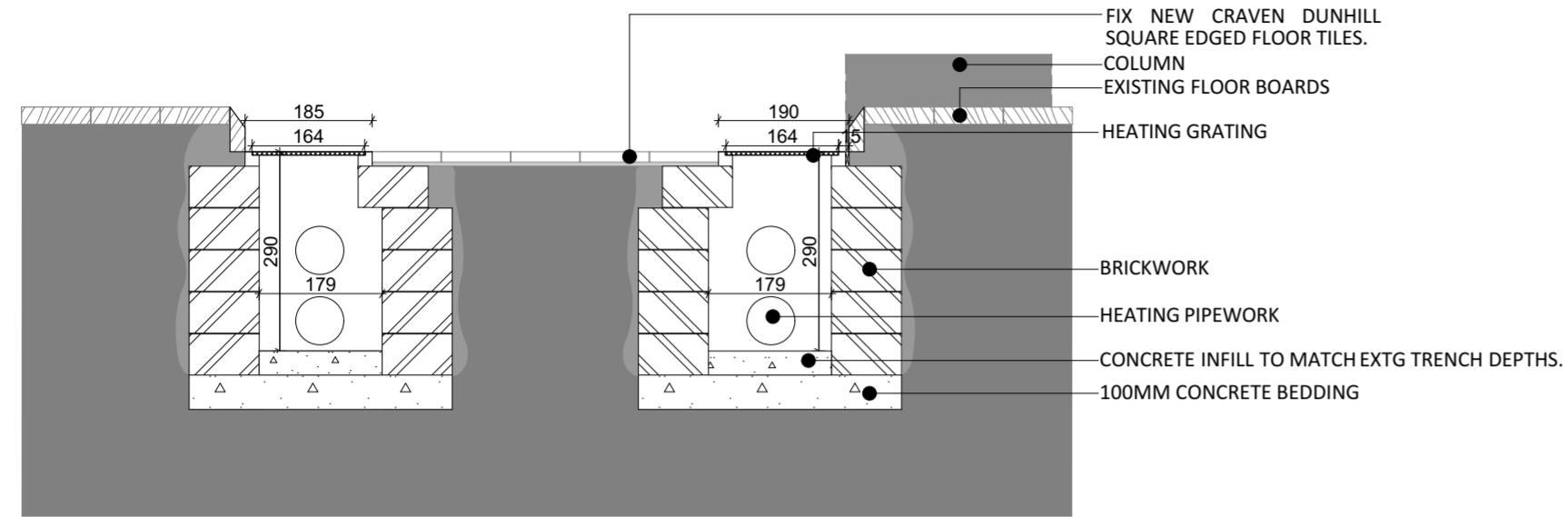


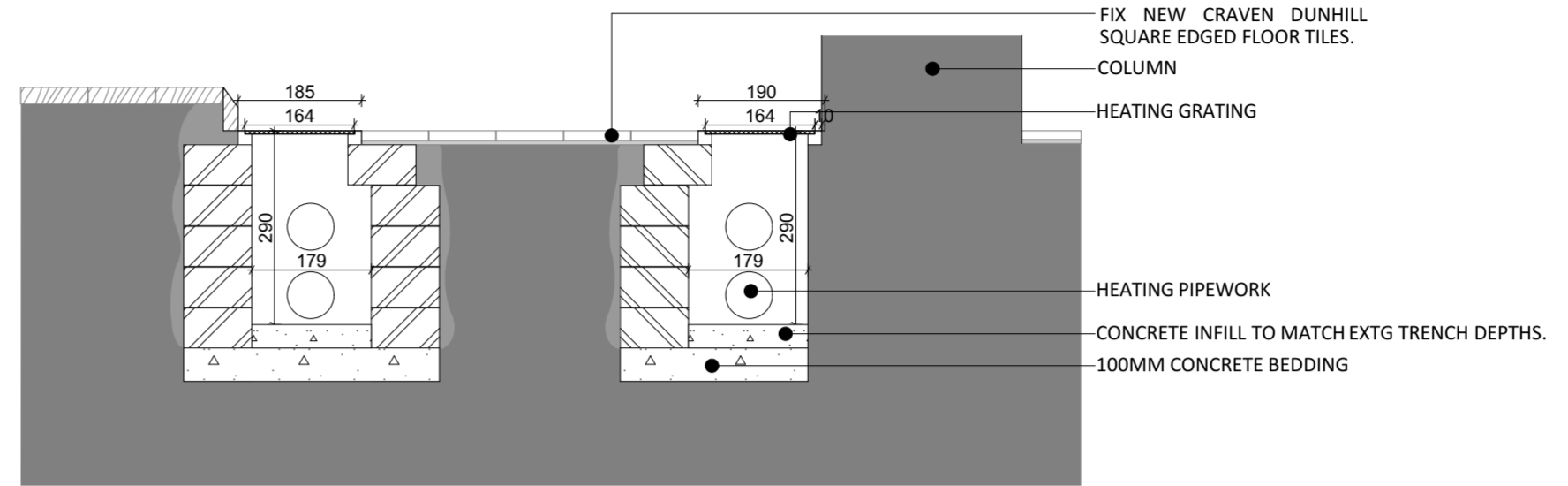
A-A EXISTING NORTH AISLE FLOOR DETAIL 1:10



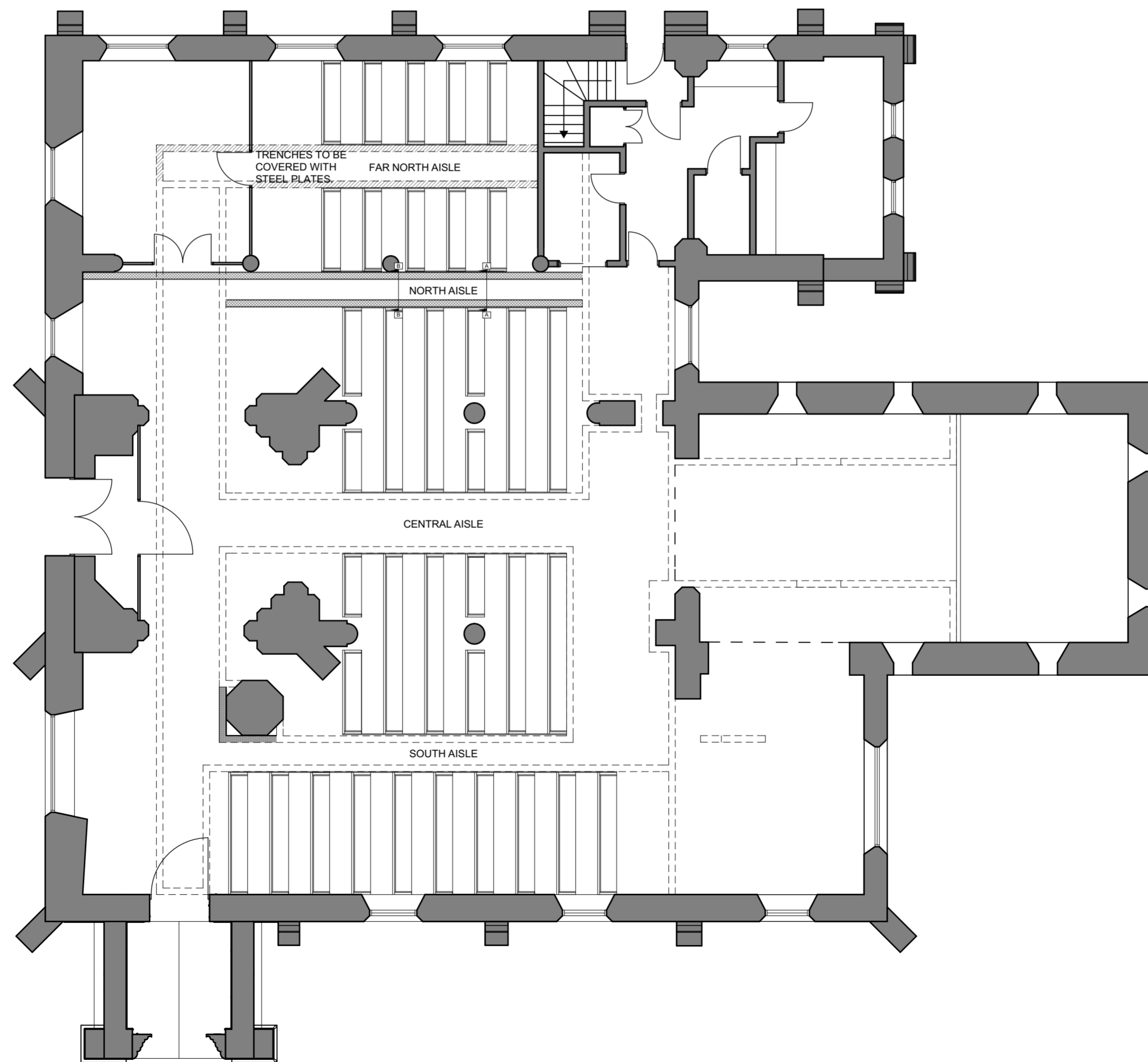
B-B EXISTING NORTH AISLE FLOOR DETAIL 1:10



A-A PROPOSED NORTH AISLE TRENCH SECTION DETAIL 1:10



B-B PROPOSED NORTH AISLE TRENCH SECTION THROUGH COLUMN DETAIL 1:10



FLOOR PLAN 1:100

NEW TRENCHES

EXISTING TRENCH LINES

EXISTING TRENCH TO BE COVERED WITH STEEL PLATES

Rev ID	Date	Comment
A	19/01/2017	

wood | goldstraw | yorath
 ARCHITECTS QUANTITY SURVEYORS CDM CO-ORDINATORS

Churchill House, Regent Road, Stoke on Trent, ST1 3RH.
 Tel: 01782 208000 Fax: 01782 208712 E-mail: info@woodgoldstraw.co.uk
 www.woodgoldstraw.co.uk

Client.
**ST CHADS CE CHURCH,
 PATTINGHAM**

Project.
INTERNAL ALTERATIONS

Scale 1:100, 1:10	Issue Date 20/01/2017
Sheet Size A2	Drawn L.W

Title.
**PROPOSED HEATING
 TRENCHES**

Drawing Number 1896-19-01A	(Revision)	Revision ID A
--------------------------------------	------------	-------------------------

CAD file path:
 X:\1 A CAPPER'S TEAM\3 CE CHURCH\PATTINGHAM - ST CHADS\1896-19 NORTH AISLE
 TRENCH AND PIPEWORK\03 Drawings and Docs\CAD\1896-19 PROPOSED NORTH AISLE.pln
 Copyright. Wood Goldstraw Yorath LLP.
 Contractors are to check all dimensions on site and refer any discrepancies to the Architects immediately. Do
 not scale from this drawing.